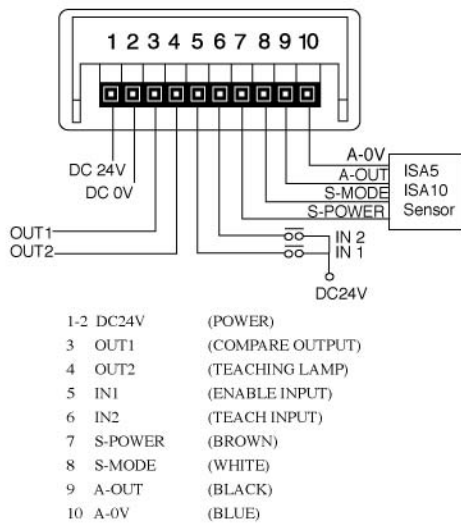


## PARAMETER SETTING :

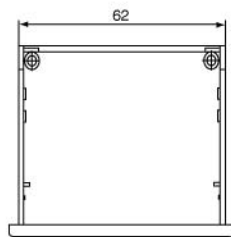
- Entering parameter setting mode : Press ▼ & ■ button about 5 seconds then into parameter mode.  
Press ■ button to quit parameter mode.
- Press ● button can select parameter and set item as shown followings.
- Use ▲ or ▼ button to change parameter value

Parameter List			MODEL	
Parameter item LED U M L	FUNCTION	MODEL		
		SM-P-5	SM-P-10	
○○○	P0	Display value : A/D(0-1023)*P0/P1	Display value : A/D(0-1023)*P0/P1	
○○●	P1			
○●○	P2	No used		
○●●	P3	Offset value	Offset value of position	
●○○	P4	Tolerance range	1.P4=-limit value(display unit)	
●○●	P5		2.P5=+limit value(display unit)	
●●○	P6	Count direction	0=cw , 1=ccw	
●●●	P7	Display unit	P7=0 or 256 (1)	
			P7=512(0.1)	
			P7=1024(0.01)	

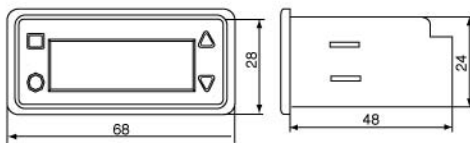
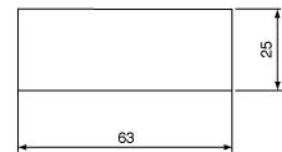
### SM-P-5 AND SM-P-10 CONNECTION DIAGRAM:



### DIGITAL METER: EXTERNAL DIM.(mm)



### PANEL CUTOUT(mm)



### INTELLIGENT POSITION SENSOR:

#### EXTERNAL DIMENSIONS(mm)

